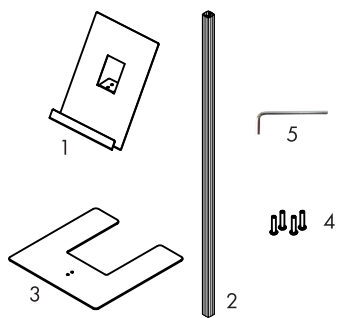


Display Mate Literature Holder

Product Parts

- 1 - Top
- 2 - Support Post
- 3 - Base
- 4 - Hex Screw (x4)
- 5 - 3mm Hex Wrench



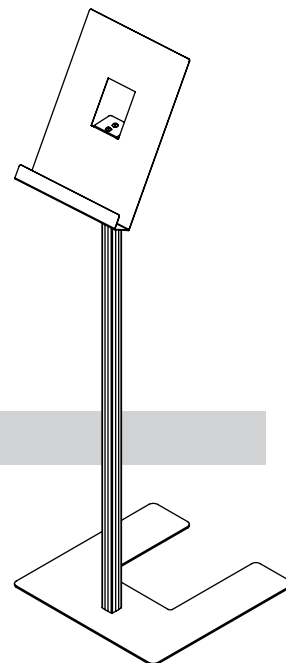
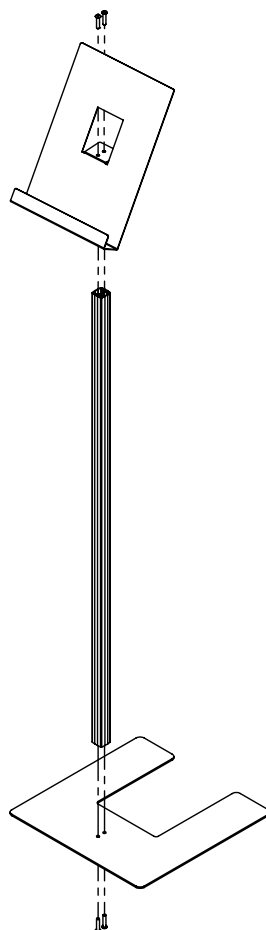
Display Set-Up

Step 1

Attach Base (3) to Support Post (2) using two Hex Screws (4). Tighten with 3mm Hex Wrench (5).

Step 2

Attach Top (1) to Support Post (2) using two Hex Screws (4). Tighten with 3mm Hex Wrench (5).



Storage & Care

Store in a cool, dry location. Clean the hardware with a damp cloth.